
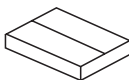



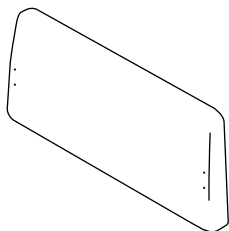
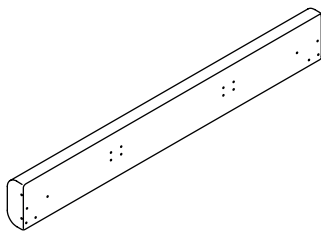


Kave® Cares

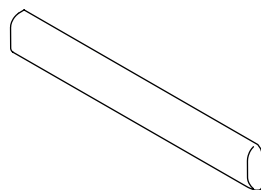
				
45 min	x1	x2	x1	x1



A x1



B x2



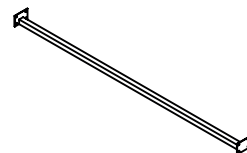
C x1



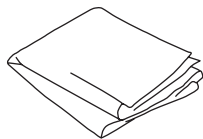
D x4



E x7



F x2



G x1



H x1



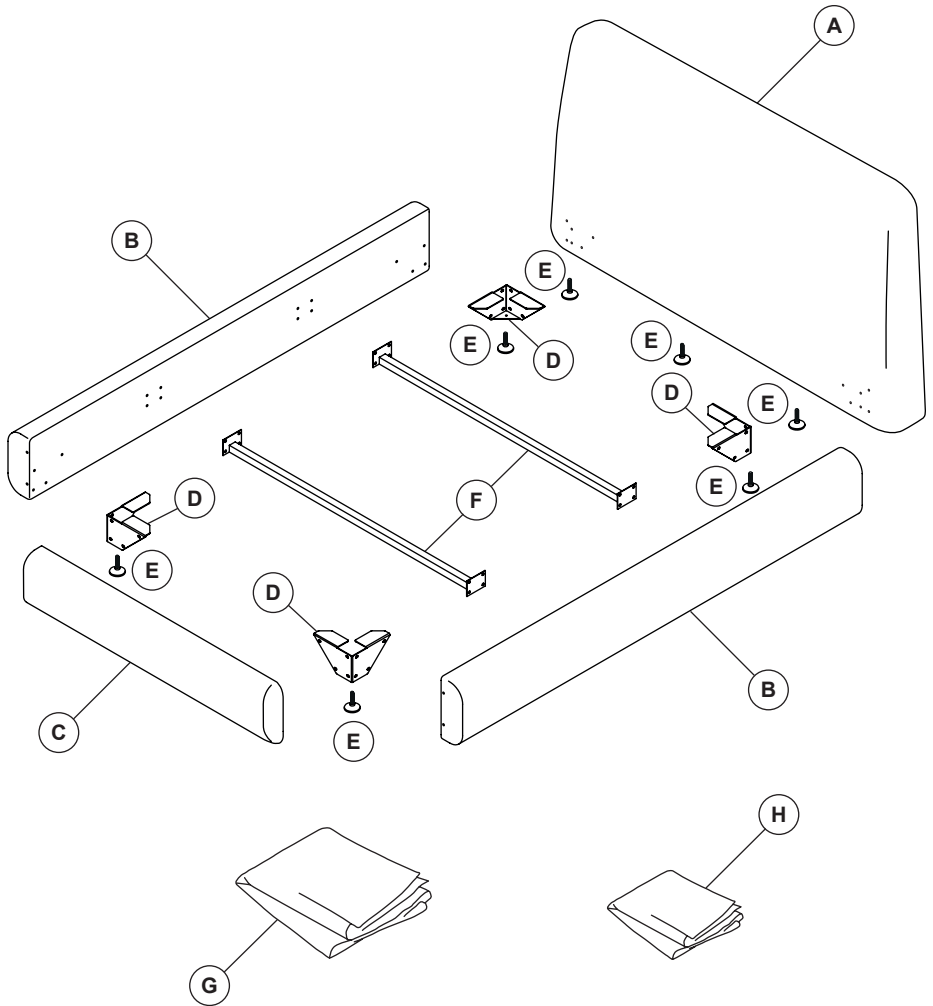
I x1



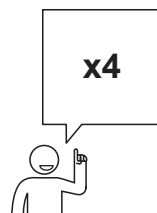
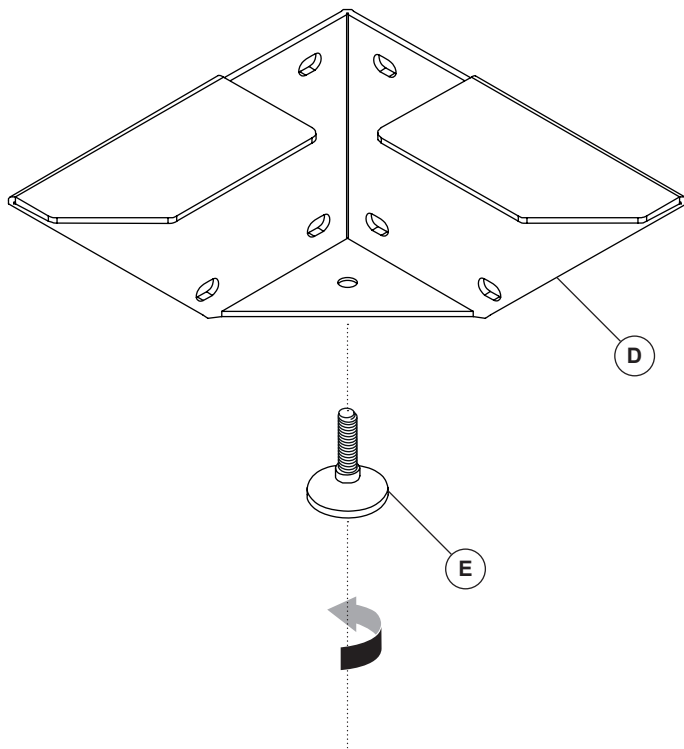
J x48
M6x20mm



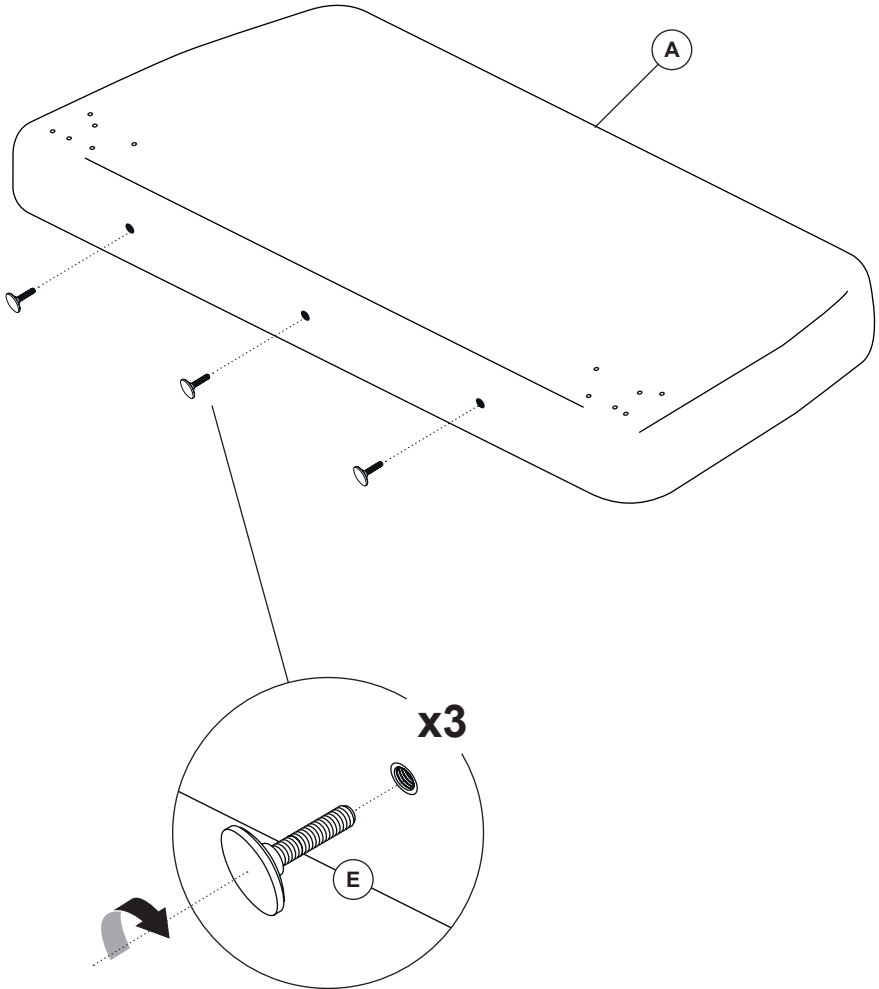
K x8



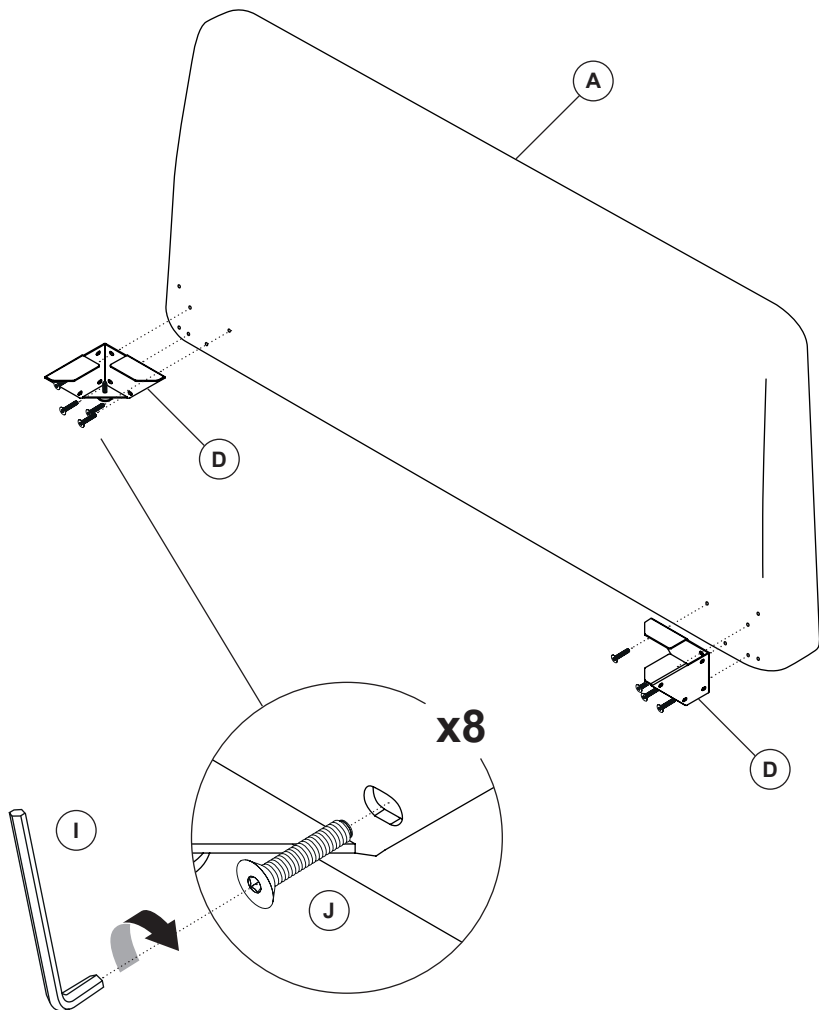
1



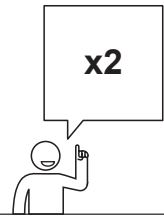
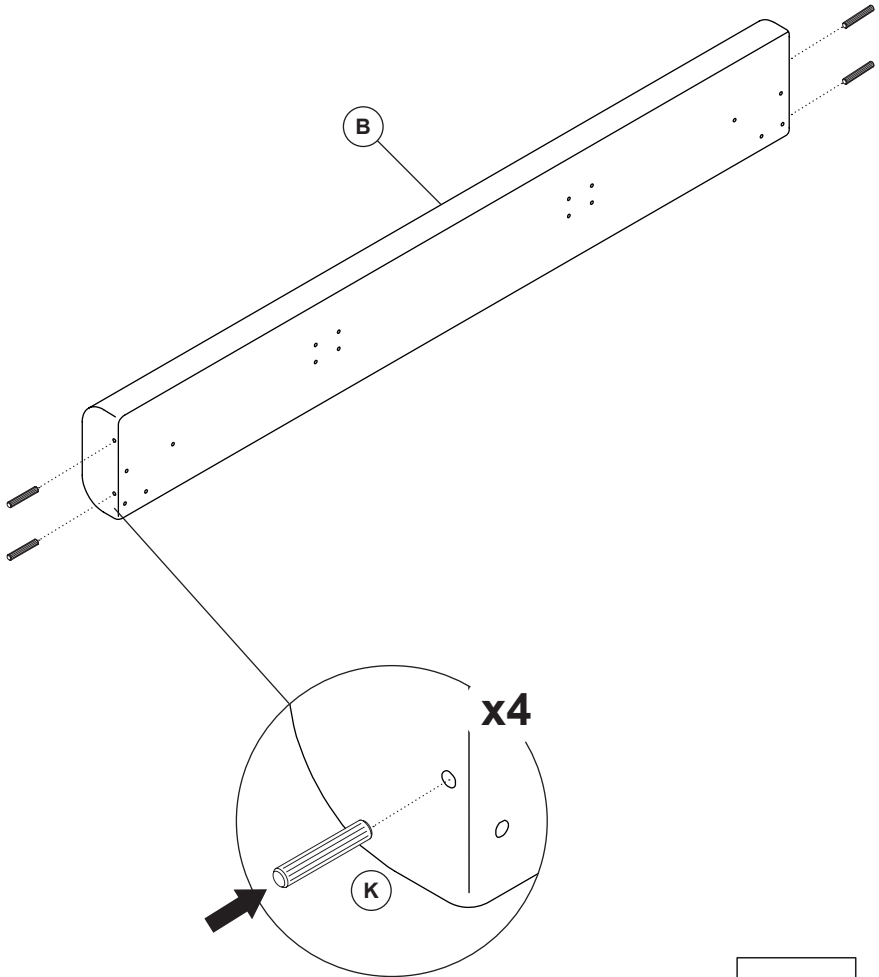
2



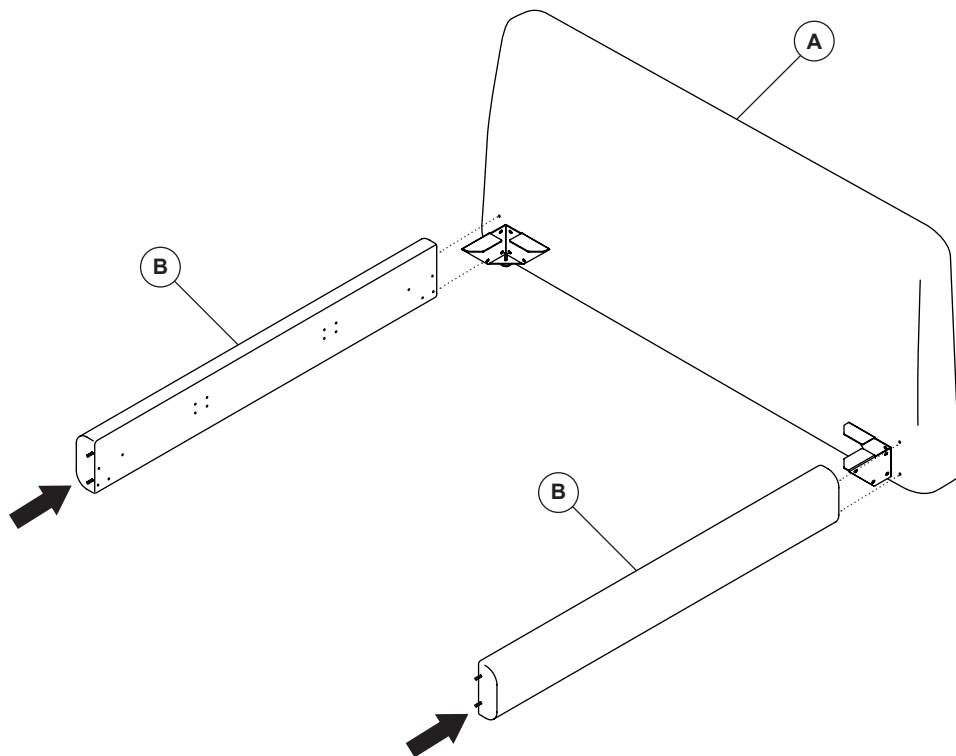
3



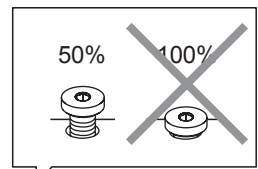
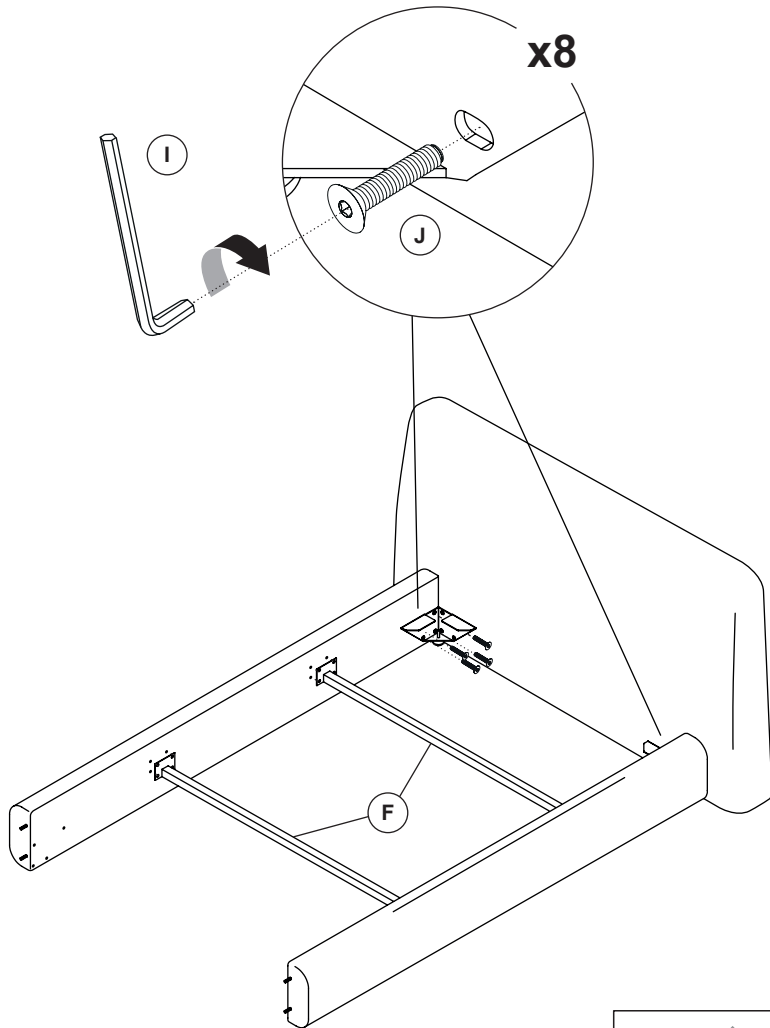
4



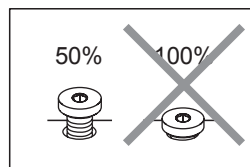
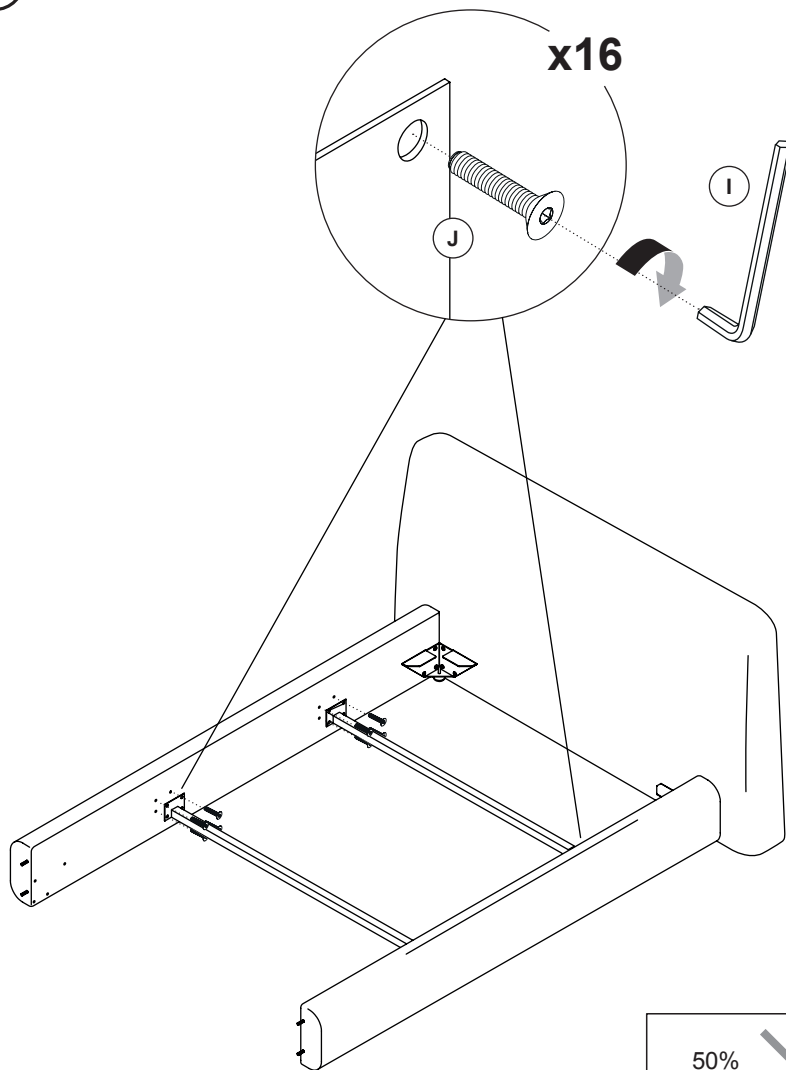
5



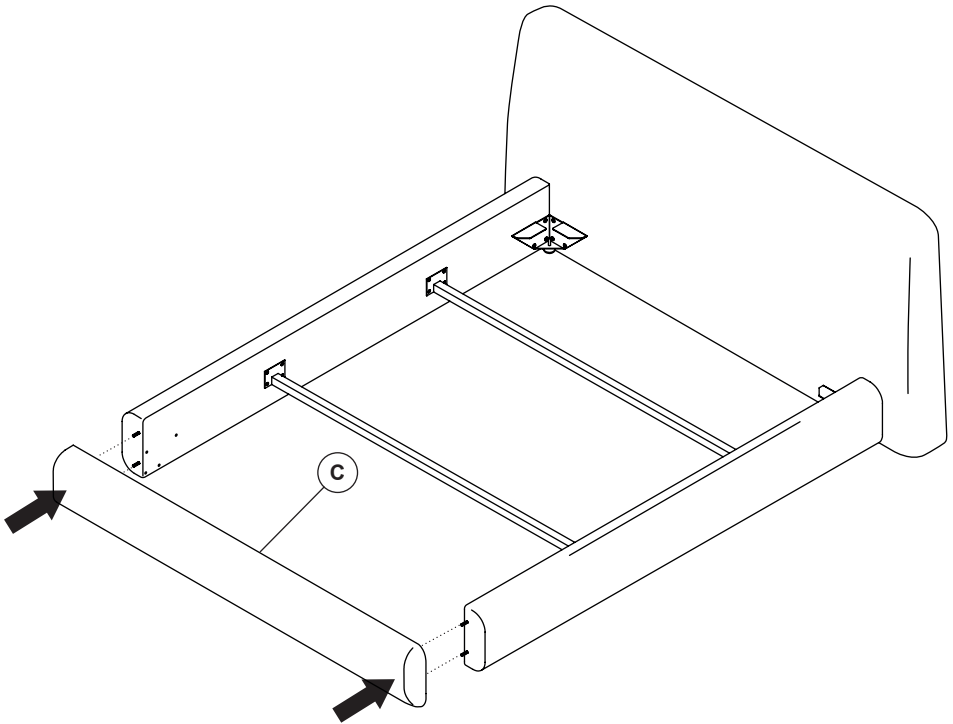
6



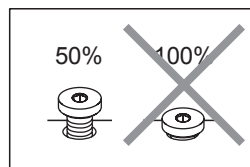
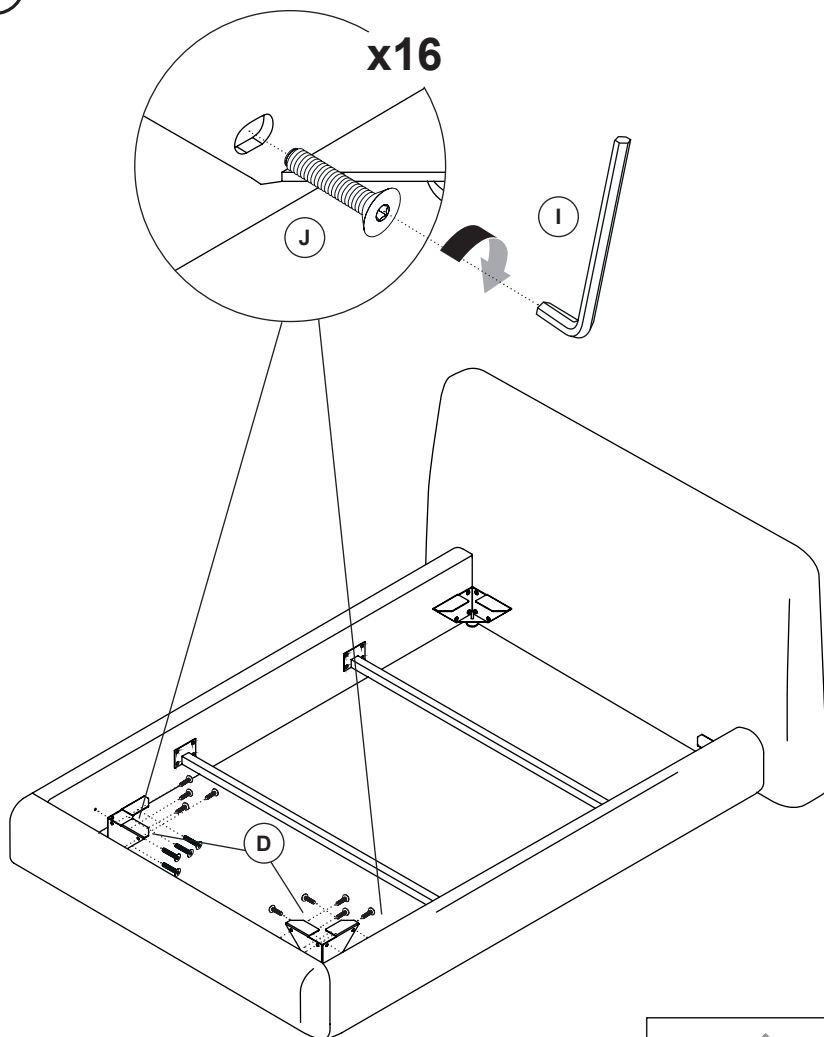
7



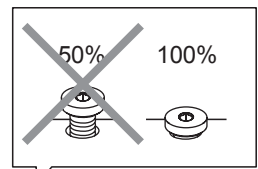
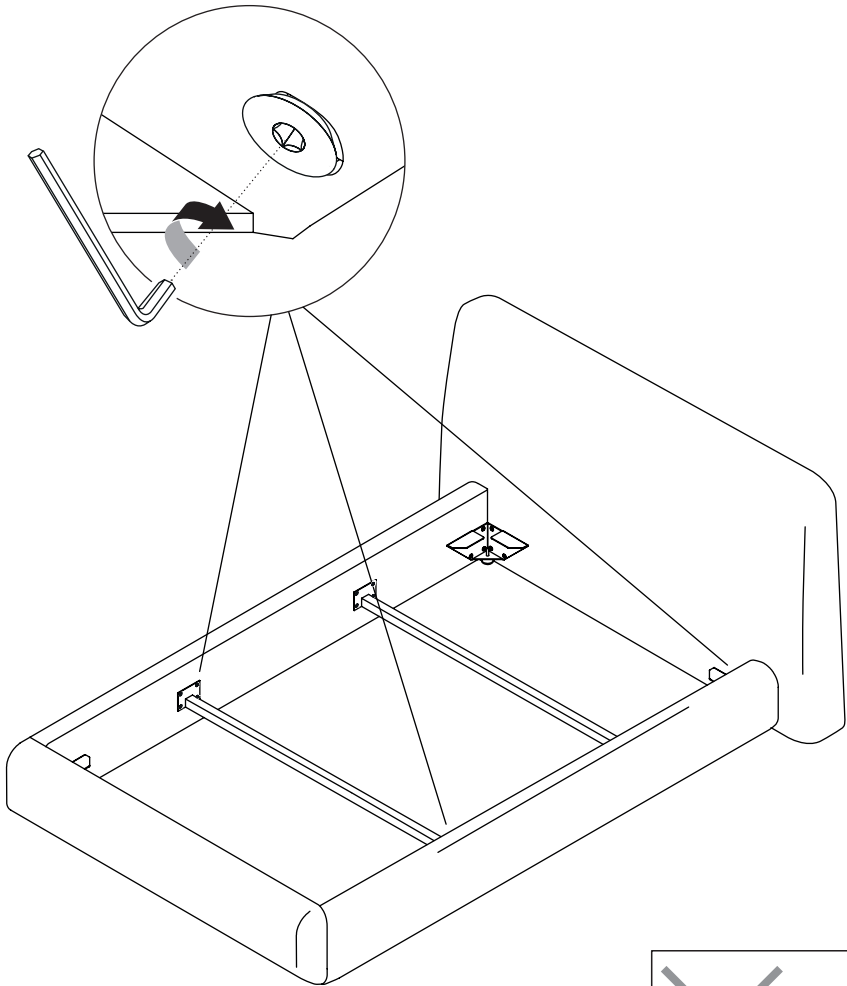
8



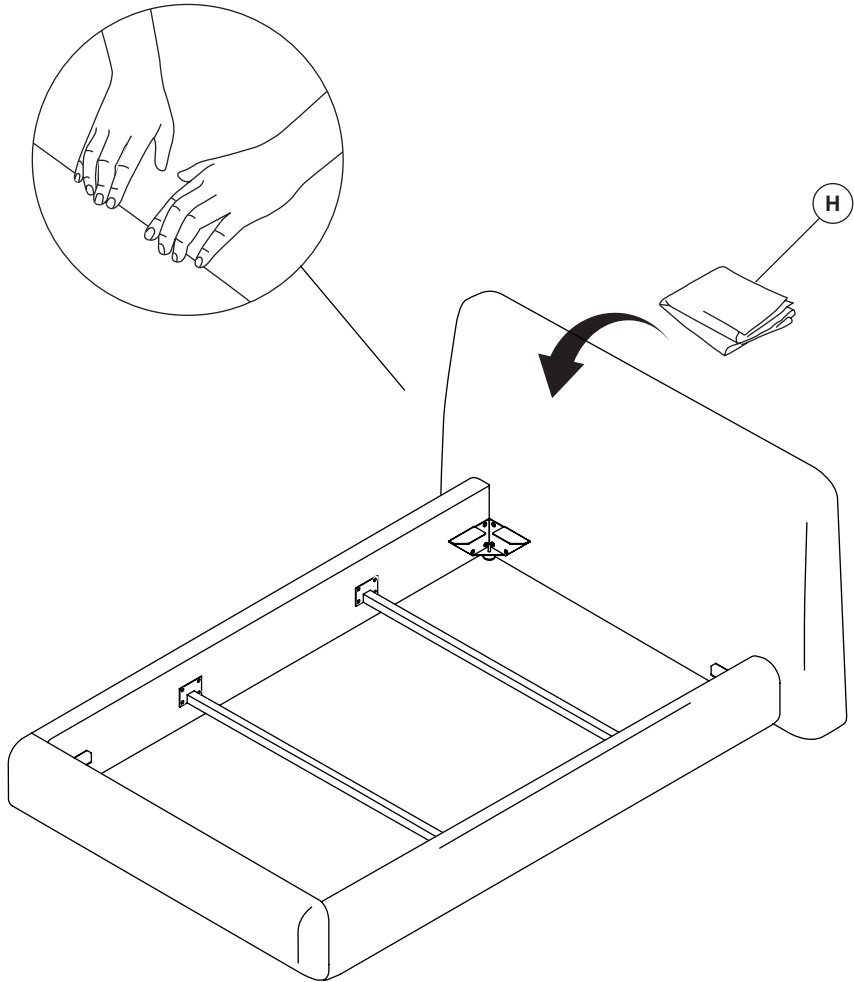
9



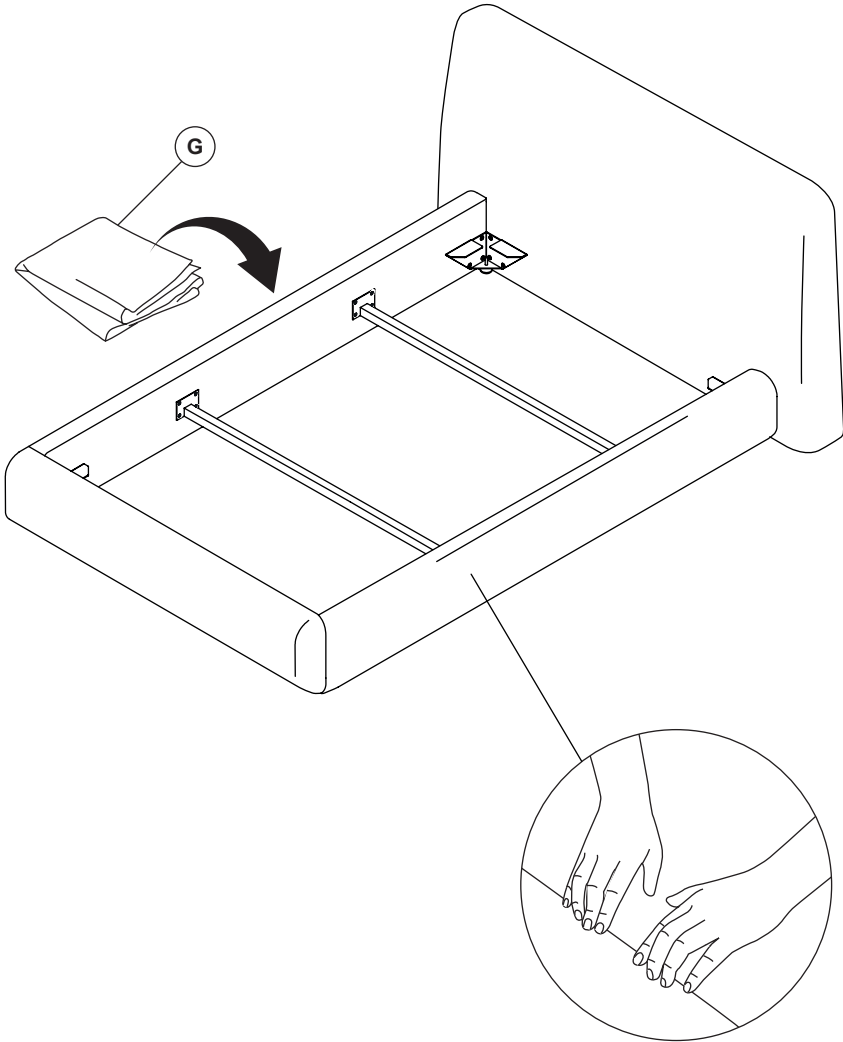
10

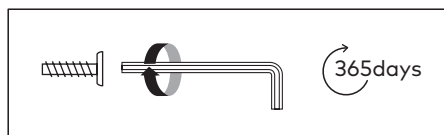
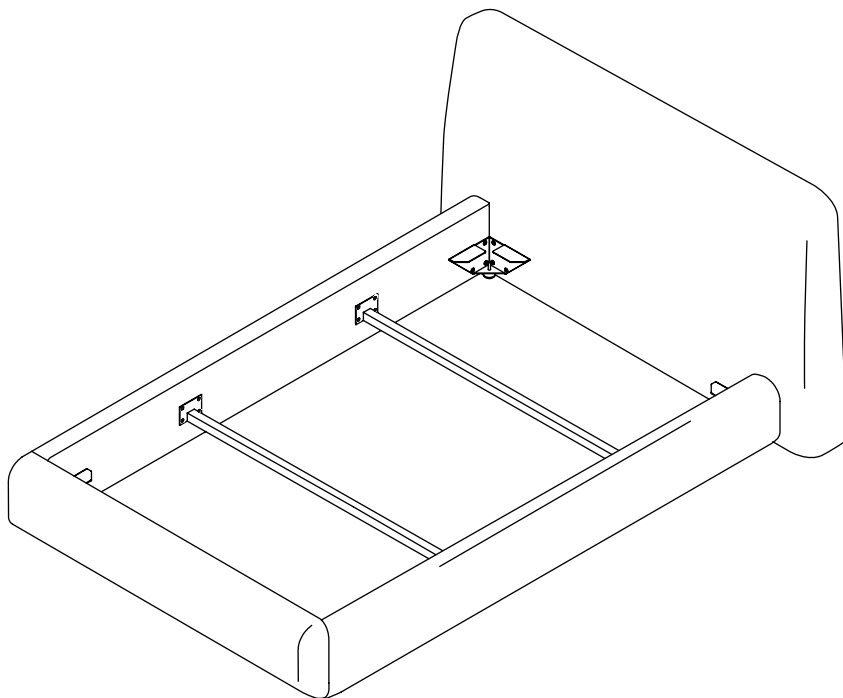


11



12







THAT'S ALL FOLKS

Share your style!

#KaveHome

