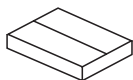




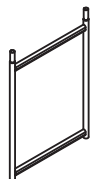
30 min



x1



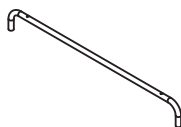
x1



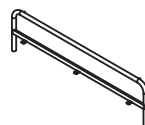
① x2



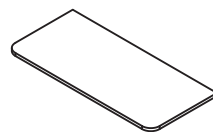
② x1



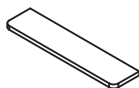
③ x1



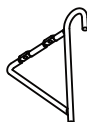
④ x1



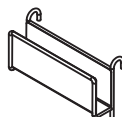
⑤ x1



⑥ x1



⑦ x2



⑧ x1



⑨ x4



A x2  
(M6X34mm)



B x11  
(M6X15mm)



C x4  
(M6X12mm)



D x7



E x13



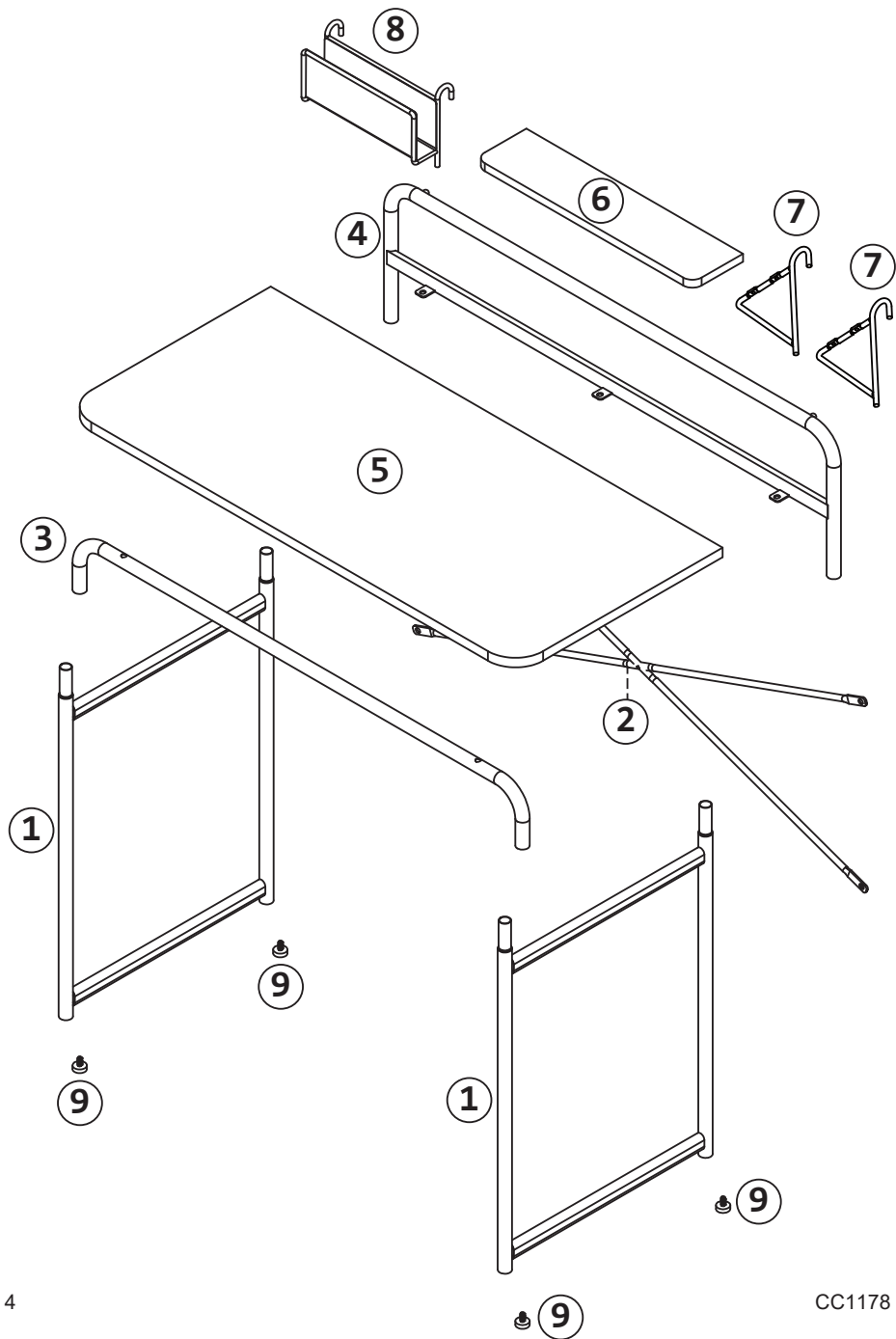
F x6



G x4

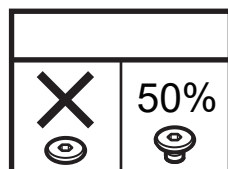
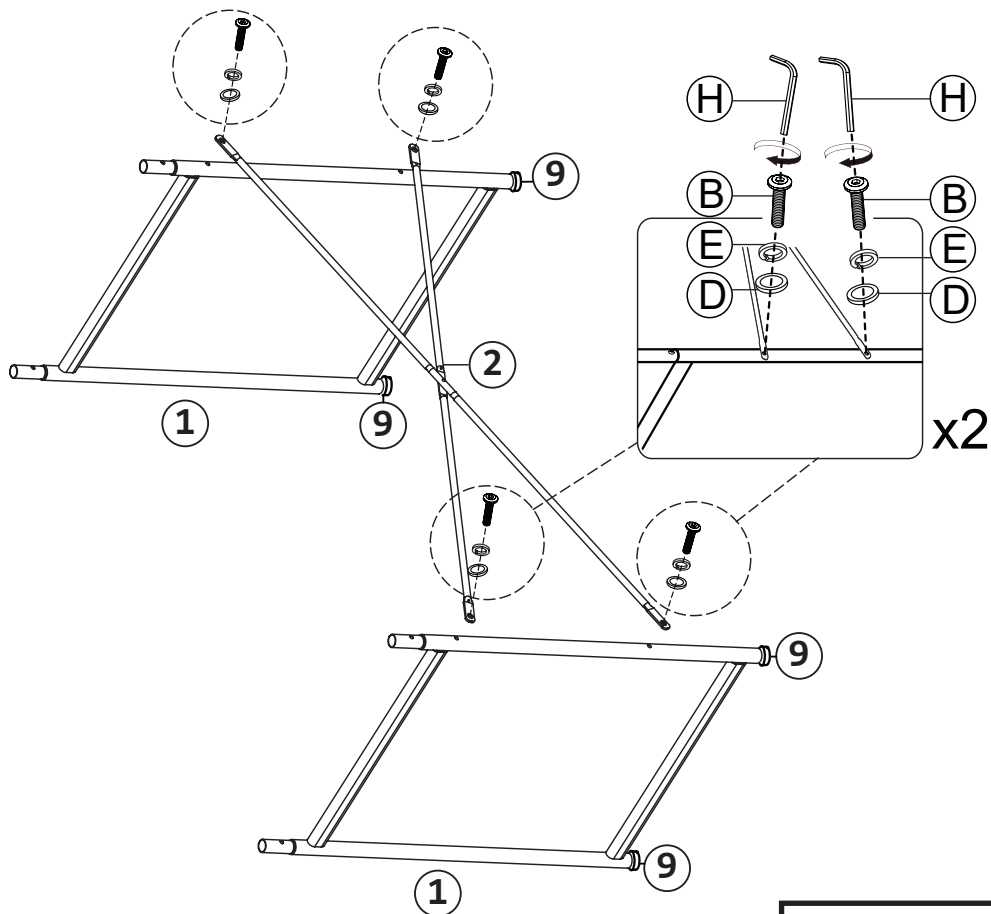


H x1



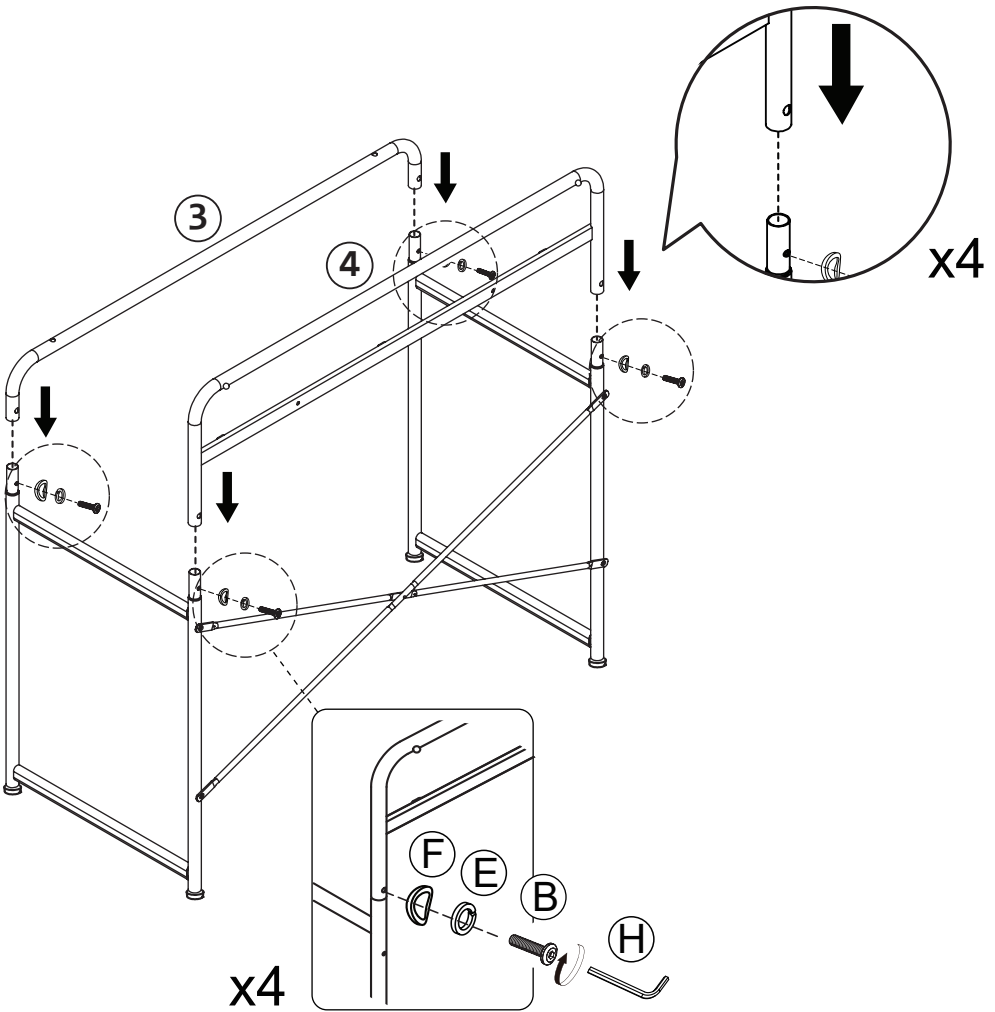


1



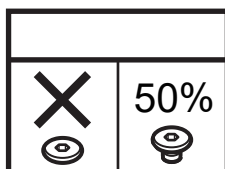
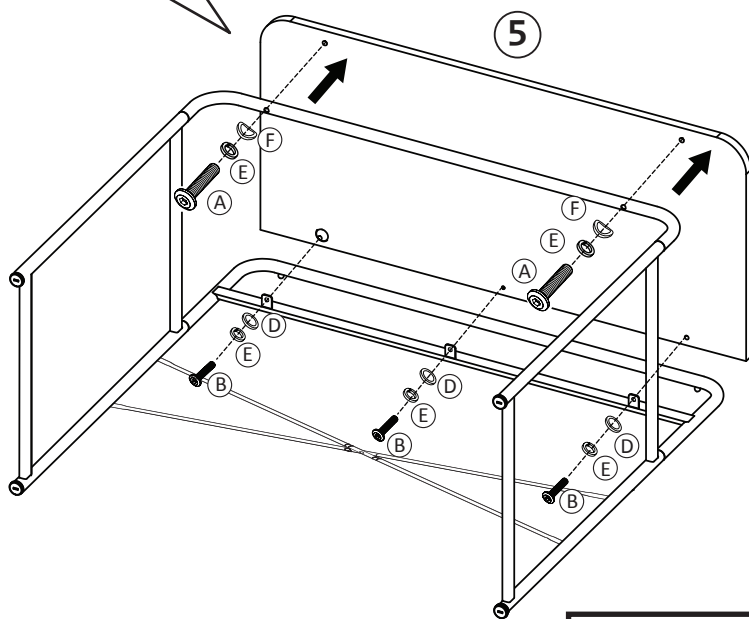
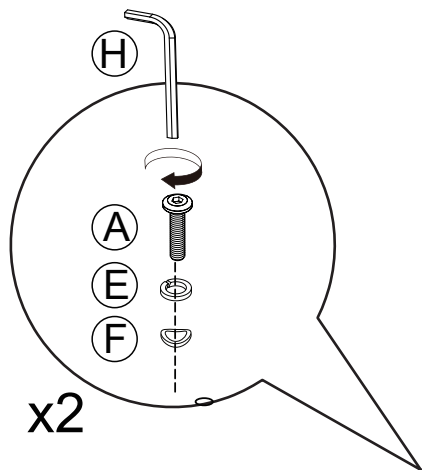


2



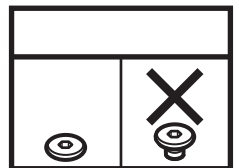
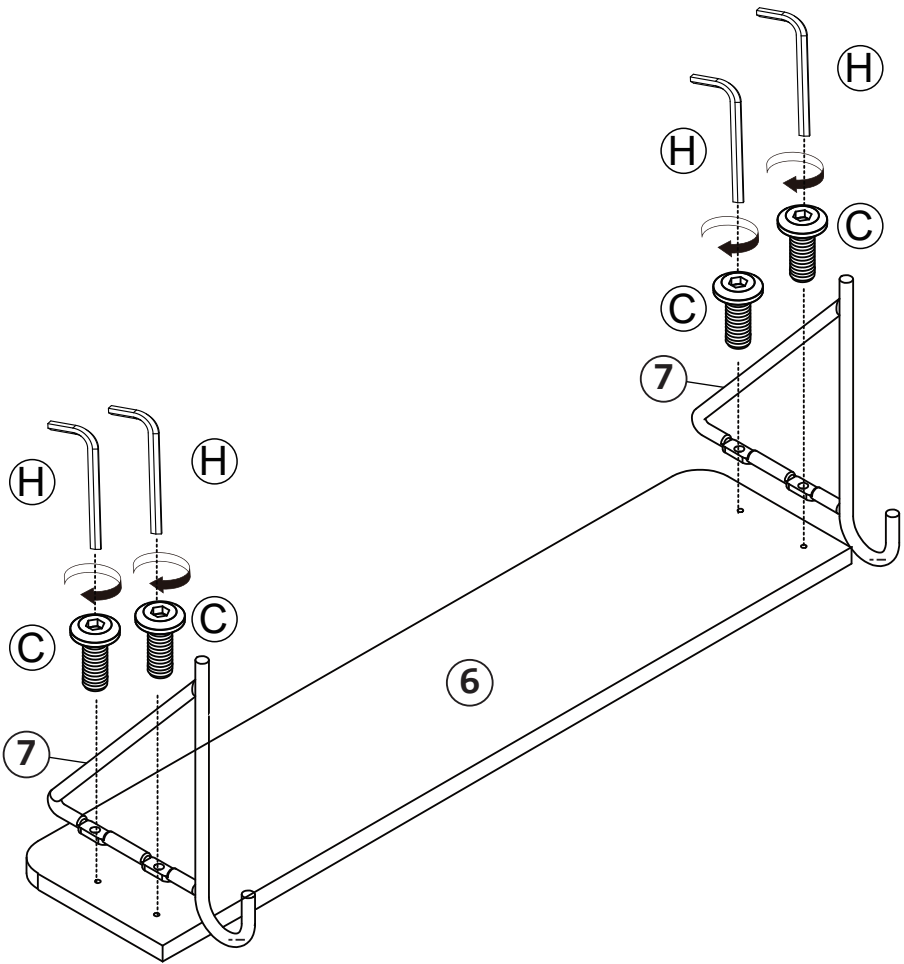


3





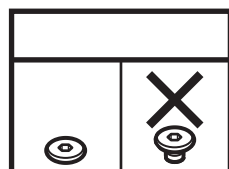
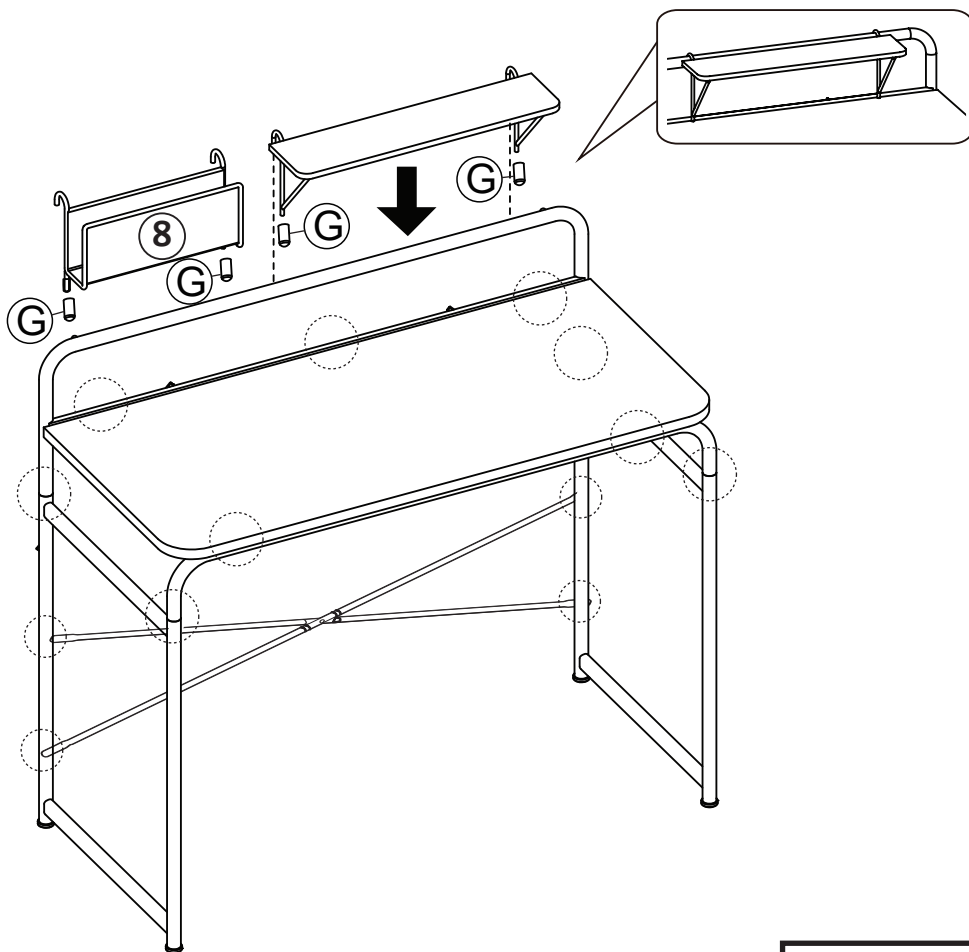
4







5



**JULIÀ GRUP Furniture Solutions S.L.**

B-17616277

Pol. Ind. Bosc d'en Cuca

C / Tallers, 14

17410 Sils SPAIN

[contact@kavehome.com](mailto:contact@kavehome.com)